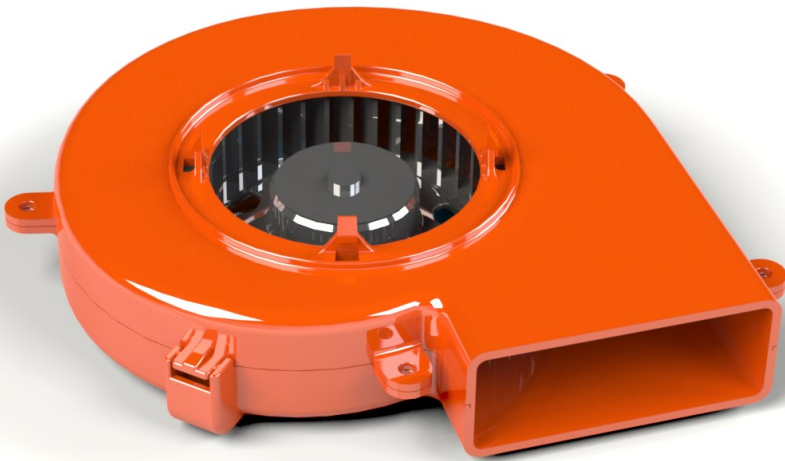


Seat ventilation blower

DRF-29A306 XXL

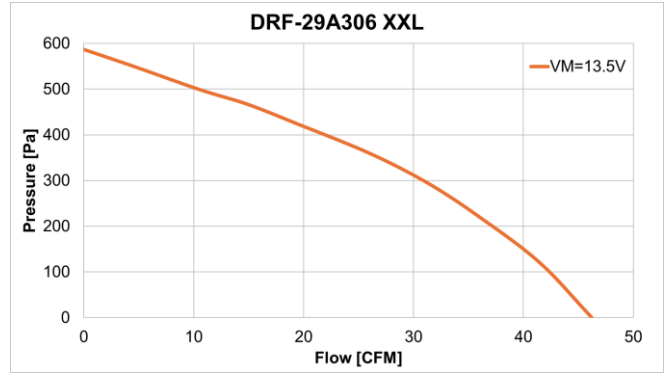


Size 135 x 135 x 30 mm

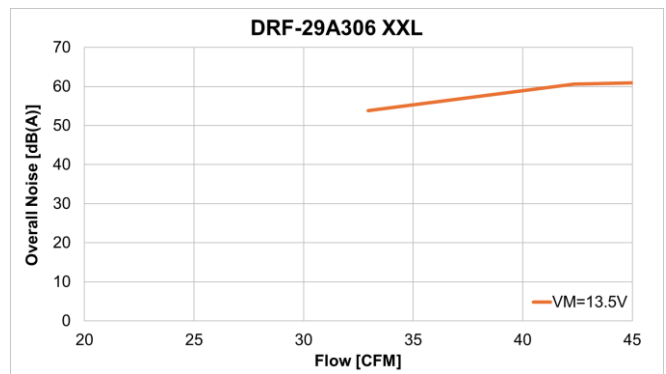
Motor Specification

Type of motor	-	DC Brushless
Weight	g	206
Size	mm	135 x 135
Thickness at housing scroll	mm	30
Motor output	W	9.0
Maximum current	A	1.8
Operating voltage range	V	9 to 16
Operating temperature	°C	-40 to 80
Storage temperature	°C	-40 to 85
Operating relative humidity	%	95
Maximum pressure	Pa	587
Maximum flow	CFM	46
Speed	RPM	4,007
Noise	dB(A)	61
Bearing type	-	Sleeve
IP rating	-	IP52
Housing material	-	Plastic
Impeller material	-	Plastic
Interface	-	Power, Ground, Speed control (PWM or PAM)

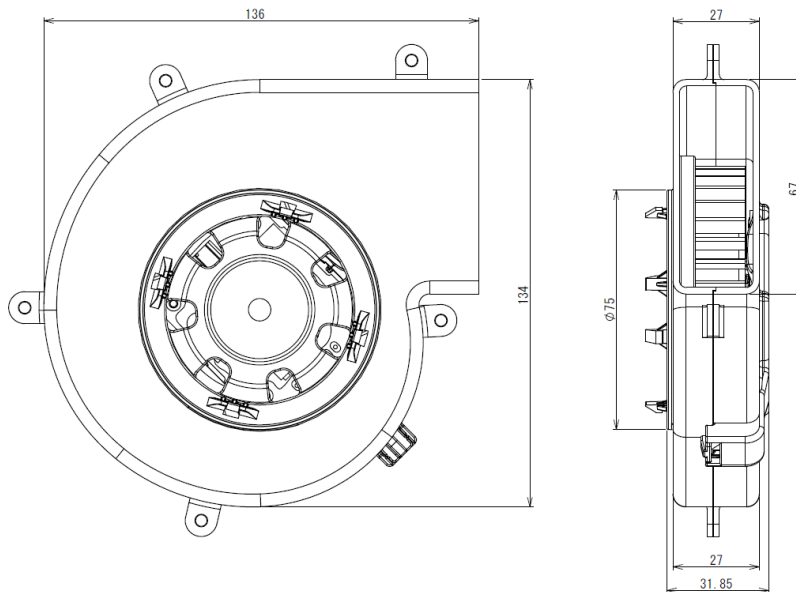
P-Q Performance Curve



Noise Performance Curve



Dimension



■ Japan (Headquarters)

Shinano Kenshi Co., Ltd.

1078, Kami-maruko, Ueda City, Nagano 386-0498
Japan
jp.aspina-group.com

■ USA

ASPINA Inc.

18952 MacArthur Boulevard, Suite 230, Irvine, California 92612
U.S.A.
us.aspina-group.com

■ Europe

ASPINA GmbH

Köln Str. 12, 65760 Eschborn
Germany
eu.aspina-group.com