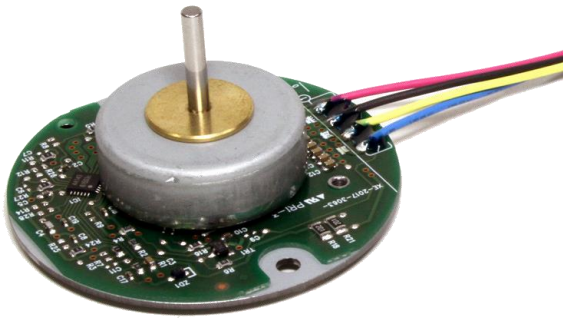


Driver integrated brushless DC motor

DR-29312
DR-24312



Drive circuit
Built-in

DC
12v / 24v

Rated torque
12 mN·m*

Rated speed
4,000 r/min*

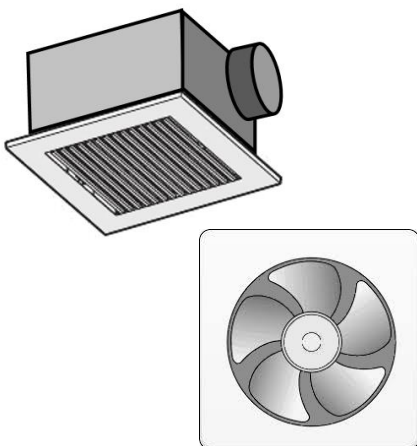
* DR-29312

Features

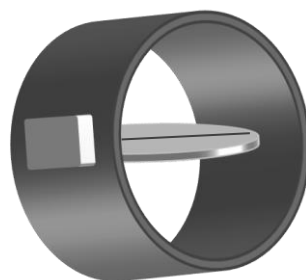
- Quiet operation and low power consumption designs contribute to user comfortability using sinusoidal drive
- Easy use with built-in drive circuit, peak efficiency of 70%
- Light weight and low profile can minimize the application size

Application examples

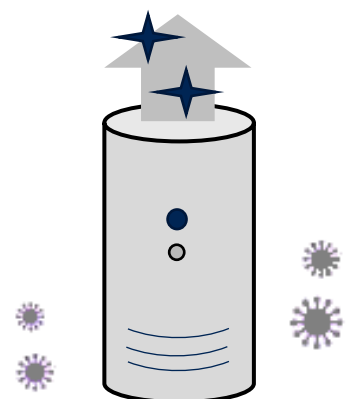
Ventilation unit



Damper control



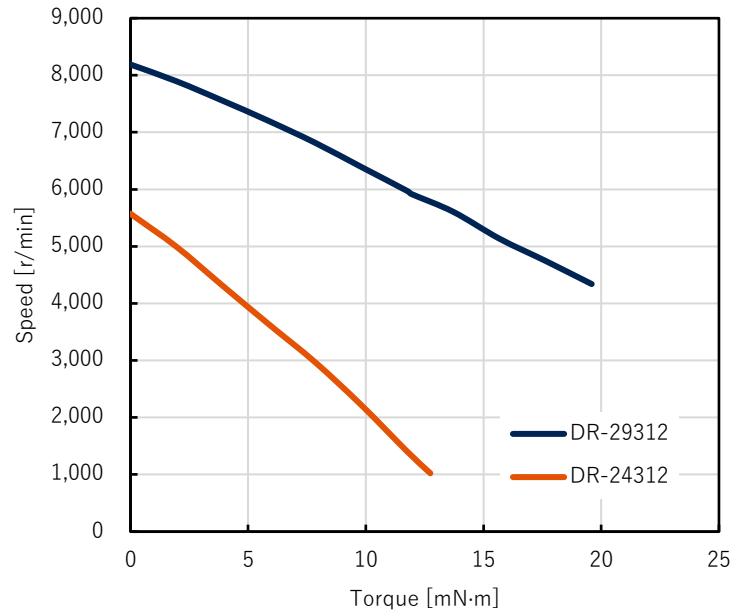
Mobile air purifier



Specification

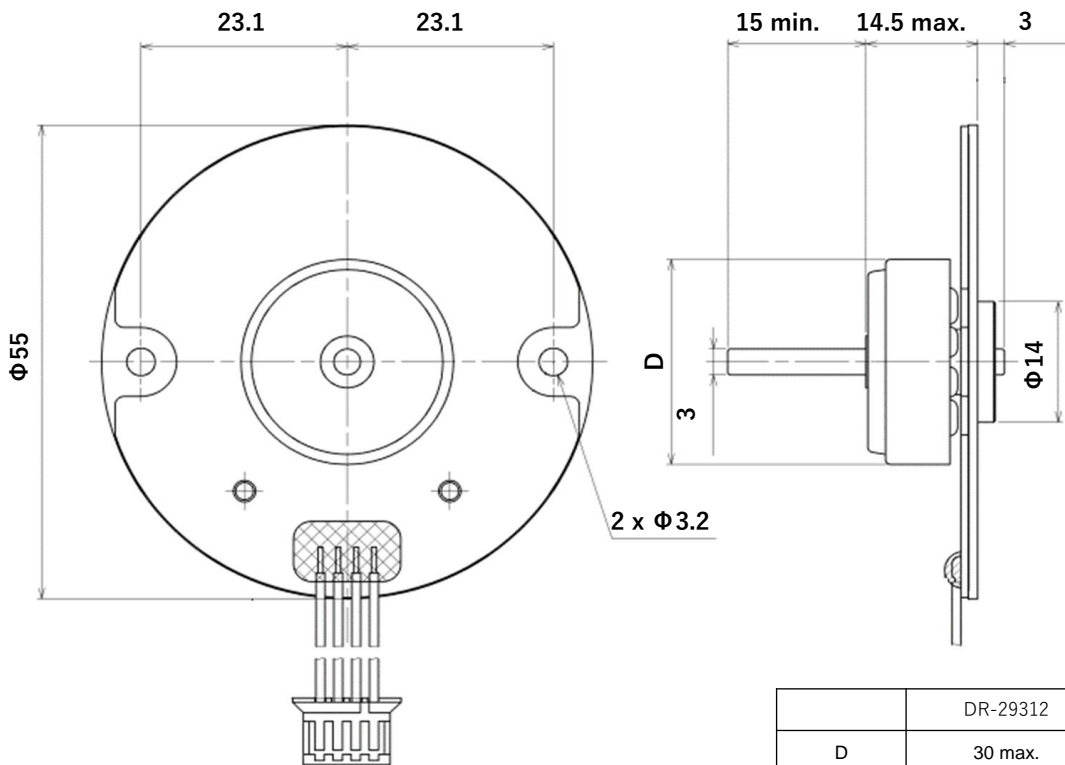
		DR -29312	DR -24312
Rated voltage	V	DC 12 or 24	
Rated speed (24 V)	r/min	4,000	2,200
Rated torque (24 V)	mN·m	12	7.7
Rated output (24 V)	W	5	2
Mass	g	60	50

Performance curve (24V_{DC})



Dimensions

Unit : mm



*Specifications and appearance are subject to change without notice.

■ Europe

ASPINA GmbH
Köln Str. 12
65760 Eschborn
Germany
eu.info@aspina-group.com
eu.aspina-group.com

■ USA

ASPINA Inc.
6065 Bristol Parkway
Culver City, California 90230
U.S.A
us.info@aspina-group.com
us.aspina-group.com

■ Japan (Headquarters)

Shinano Kenshi Co., Ltd.
1078, Kami-maruko, Ueda City
Nagano 386-0498
Japan
jp.aspina-group.com

Issue Date: February 2023